



HSM 208F



7 t / 9 t models



Technik die Freude macht.

Technical data 208F 7 t / 9 t models

Engine:

- IVECO
NEF 4 cyl. Common Rail Turbo / TIER3B
power: 125 kW (170 HP)
max. revolution: 2200 rpm
max. torque: 700 nm at 1500 rpm
displacement: 4,5 liter

Power train:

- HSM High Speed Drive (serial 71)
speed at 1st gear 0-14 km/h
- NAF 2 speed transfer gearbox

Brake:

- Brake with 2-circles, oil-cooled multiple-disc power-brake
- Spring accumulator - parking brake

Steering:

- Articulated frame steering with 2 cylinders
- Steering angle 45°

Hydraulic system:

- Load sensing
- Variable pump (working pump):
7 t: flow rate: 152 l/min at 1600 rpm
pressure: up to max. 350 bar
7 t option: flow rate: 232 l/min at 1600 rpm
pressure: up to max. 350 bar
9 t: flow rate: 232 l/min at 1600 rpm
pressure: up to max. 350 bar
- Hydraulic fluid: saturated, synthetic ester Panolin HLP
SYNTH with Kleenoil microfiltration; WGK 1

Cabin:

- Raisable to side on parallel linkages
- ROPS, FOPS, OPS tested
- Rotary seat with pedals in front and rear
- Wiper in front and rear, optional on the side
- Air cushioned seat with seat heating
- Hot-water heating
- Air conditioning

Electrical system / Instruments:

- HSM EComand colour-display
- 5 operator programs + factory setting
- Diagnosis-tool and error-indication
- Graphic support at parameter editing
- Generator 24 V, 90 A
- 2 service-free dry batteries á 55 Ah
option: 4 service-free dry batteries á 55 Ah

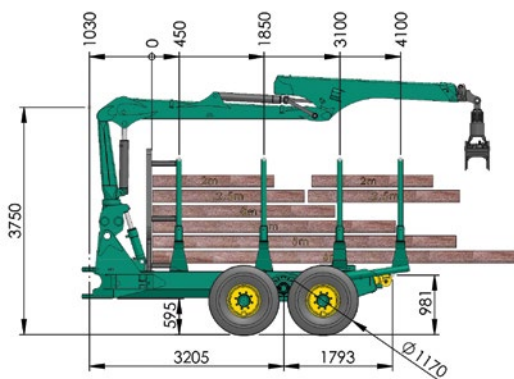
Standard equipment:

- 14 LED-working headlight at cabin
- 4 working headlights at crane
- Potential transformer 24 V - 12 V
- Radio with CD
- Fire extinguisher
- First aid kit
- Warning triangle
- Tool kit
- Cooling box
- Reversing camera with color monitor
- Rear headlights
- Twist lock with 2 hydraulic cylinders

Special equipment:

- Front dozer-blade
- Tandem axle lift (Bogielift)
- Tandem axle lift front separately controllable
- Single-drum winch 7 to / 10 to
- Turnable rung
- Last rung pluggable/removeable
- Tilttable crane
- Quick-change system for rung
- Clambunk
- Auxiliary heating
- Bogie-tracks
- Radio control for winch
- Drive by radio
- Sun blinds
- Moveable front grid
- Pluggable front grid
- Other options on request

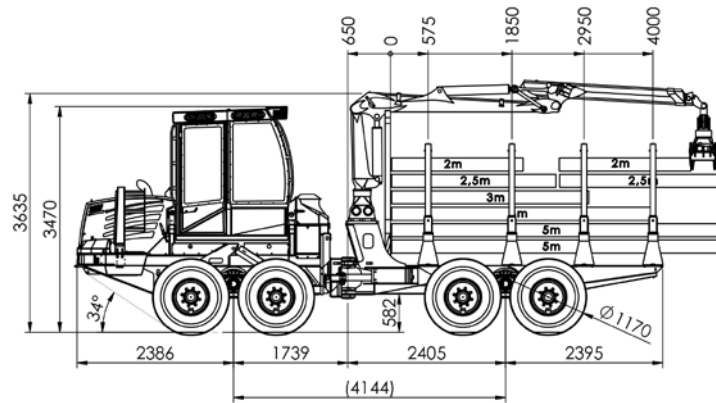
9 t rear frame with tiltcrane and winch



Diagrammed:

- Single drum-rearwinch
- Turnable rung
- 4th rung pluggable
- 2nd rung slideable
- Crane tilttable with angle - 5° / + 26°
- 9 t with a long wheelbase

208F 7 t



Weight:

- 12900 kg (serial)
weight distribution: front axle: 60 %
rear axle: 40 %

Tyres:

	Width:	Overall width:	Width for tracks:
• Serial:	600/50-22,5	2300 mm	2400 mm
• Optional:	650/45-22,5	2400 mm	2500 mm
	710/40-22,5	2500 mm	2600 mm

Axels:

- NAF portal-bogie-axles
- Front: switchable differential lock 100 %
- Rear: switchable differential lock 100 %

Crane:

- Serial: Epsilon C60 F69
- Other cranes behold crane-list

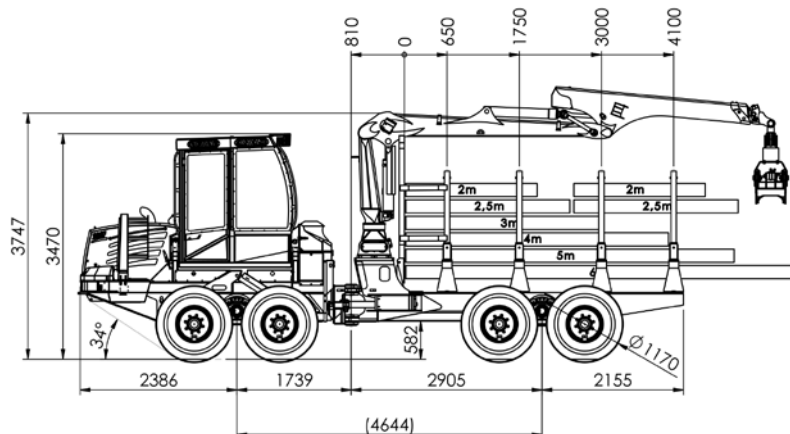
Tank capacity:

- Diesel: 150 l
- AdBlue: 25 l
- Hydraulic fluid: 110 l

Loading area:

- 4 rungs
- Length: 4000 mm
- Cross section: 2,9 m², option: 3,3 m²
- Load capacity: 7 t

208F 9 t



Weight:

- 13800 kg (serial)
weight distribution: front axle: 60 %
rear axle: 40 %

Tyres:

	width:	overall width:	width for tracks:
• Serial:	710/40-22,5	2500 mm	2600 mm
• Optional:	600/50-22,5	2300 mm	2400 mm
	650/45-22,5	2400 mm	2500 mm

Axels:

- NAF portal-bogie-axles
- Front: switchable differential lock 100 %
- Rear: switchable differential lock 100 %

Crane:

- Serial: Epsilon M70 F80
- Other cranes behold crane-list

Tank capacity:

- Diesel: 150 l
- AdBlue: 25 l
- Hydraulic fluid: 110 l

Loading area:

- 4 rungs
- Length: 4100 mm
- Cross section: 3,6 m², option: 3,9 m²
- Load capacity: 9 t

HSM Crane-list

X = available against surcharge O = standard equipment # = not available

	Crane typ	Lifting moment	Range	Gripper type	208F	
					7 t	9 t
EPSILON	C60 F69	82/63 kNm	6,9 m	FG43S	O	X
	C60 F86	82/51 kNm	8,6 m	FG43S	X	X
	M70 F80	102/68 kNm	8,0 m	FG43S	X	O
	M70 F86	102/68 kNm	8,6 m	FG43S	X	X
	M70 F101	102/65 kNm	10,1 m	FG43S	X	X
	M80 F80	114/79 kNm	8,0 m	FG43S	X	X
	M80 F86	114/79 kNm	8,6 m	FG43S	X	X
	M80 F101	114/75 kNm	10,1 m	FG43S	X	X
	S100 F80	128/91 kNm	8,0 m	FG43S	X	X
	S100 F86	128/90 kNm	8,6 m	FG43S	X	X
	S100 F101	128/86 kNm	10,1 m	FG43S	X	X
	S110 F80	143/104 kNm	8,0 m	FG43S	#	#
	S110 F86	143/104 kNm	8,6 m	FG43S	#	#
	S110 F101	143/100 kNm	10,1 m	FG43S	#	#
	X120 F80	159/111 kNm	8,0 m	FG43S	#	#
	X120 F86	159/110 kNm	8,6 m	FG43S	#	#
	X120 F102	159/107 kNm	10,2 m	FG43S	#	#
	X140 F80	173/123 kNm	8,0 m	FG43S	#	#
	X140 F86	173/122 kNm	8,6 m	FG43S	#	#
	X140 F102	173/119 kNm	10,2 m	FG43S	#	#
Low crane column (height 1730 mm) series at steep slope and Kombi					X	X
Mesera	F59 F72	78/56 kNm	7,2 m	FG43S	X	X
	F59 FT85	78/51 kNm	8,5 m	FG43S	X	X
	F59 FT100	78/47 kNm	10,0 m	FG43S	X	X
	F59 FT100i	78/47 kNm	10,0 m	FG43S	X	X
	F71 F72	99/75 kNm	7,2 m	FG43S	X	X
	F71 FT85	99/70 kNm	8,5 m	FG43S	X	X
	F71 FT100	99/66 kNm	10,0 m	FG43S	X	X
	F71 FT100i	99/66 kNm	10,0 m	FG43S	X	X
	F83 F72	106/82 kNm	7,2 m	FG43S	X	X
	F83 FT85	106/76 kNm	8,5 m	FG43S	X	X
	F83 FT100i	106/73 kNm	10,0 m	FG43S	X	X
	M 92 F80i	130/84 kNm	8,0 m	FG43S	#	#
	M 92 FT86i	130/84 kNm	8,6 m	FG43S	#	#
	M 92 FT100i	130/84 kNm	10,0 m	FG43S	#	#
	F111 F72	151/111 kNm	7,2 m	FG43S	#	#
	F111 F85	151/100 kNm	8,5 m	FG43S	#	#
	F111 FT85	151/100 kNm	8,5 m	FG43S	#	#
	F111 FT91	151/98 kNm	9,1 m	FG43S	#	#
	F111 FT100	151/101 kNm	10,0 m	FG43S	#	#
	M122 F85i	155/110 kNm	8,5 m	FG43S	#	#
	M122 F96i	155/ - kNm	9,6 m	FG43S	#	#
	M122 FT100i	155/ - kNm	10,0 m	FG43S	#	#
	M142 F85i	178/132 kNm	8,5 m	FG43S	#	#
	M142 F96i	178/124 kNm	9,6 m	FG43S	#	#
M142 FT100i	178/ - kNm	10,0 m	FG43S	#	#	

**HSM Hohenloher Spezial-
Maschinenbau GmbH & Co. KG**

Technik die Freude macht.

D-74635 Neu-Kupfer
Im Greut 10
Tel. + 49 (0) 7944 / 9191-0
Fax + 49 (0) 7944 / 9191-77
Mail: info@hsm-forest.com
www.hsm-forest.com

